

Gen2 Desk
Installation guide

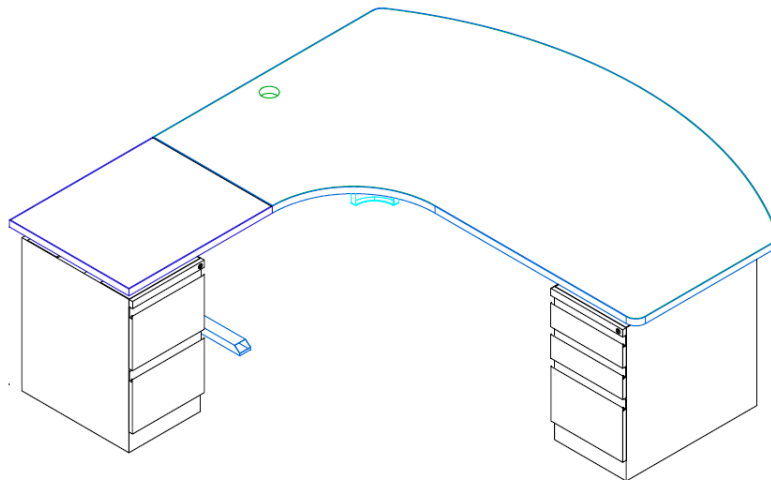


Parts

Desk tops & returns
Curved corner post
C-leg(s)
Pedestal(s)
Modesty panel(s)

Tools Needed

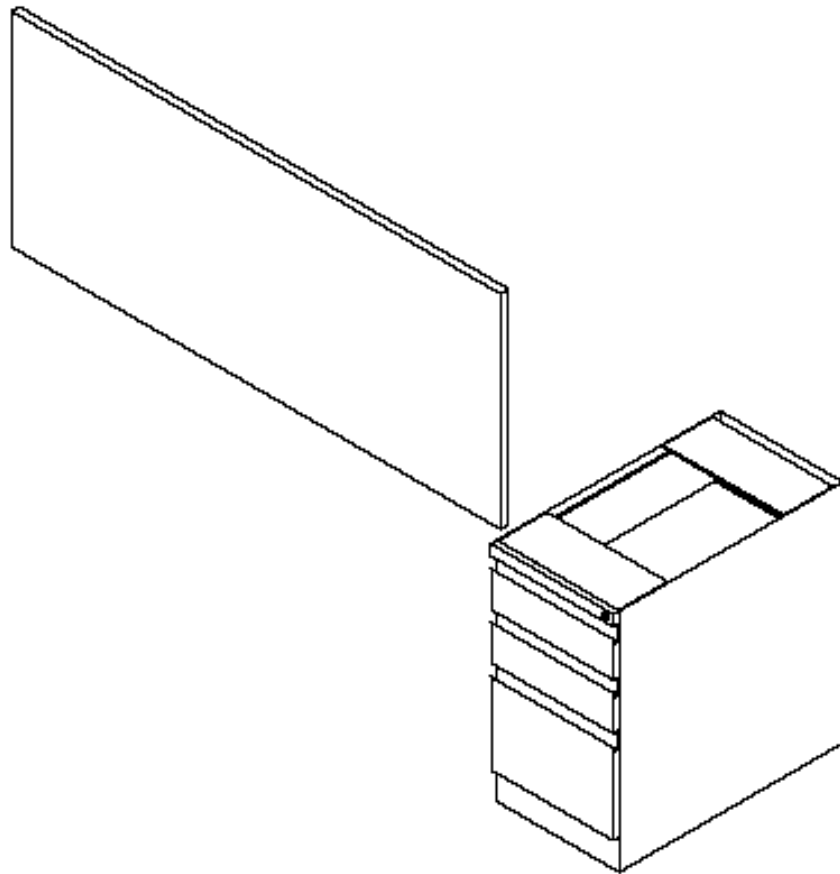
Drill
5/16" Nut Driver



Gen2 Desk Installation guide

Step one:

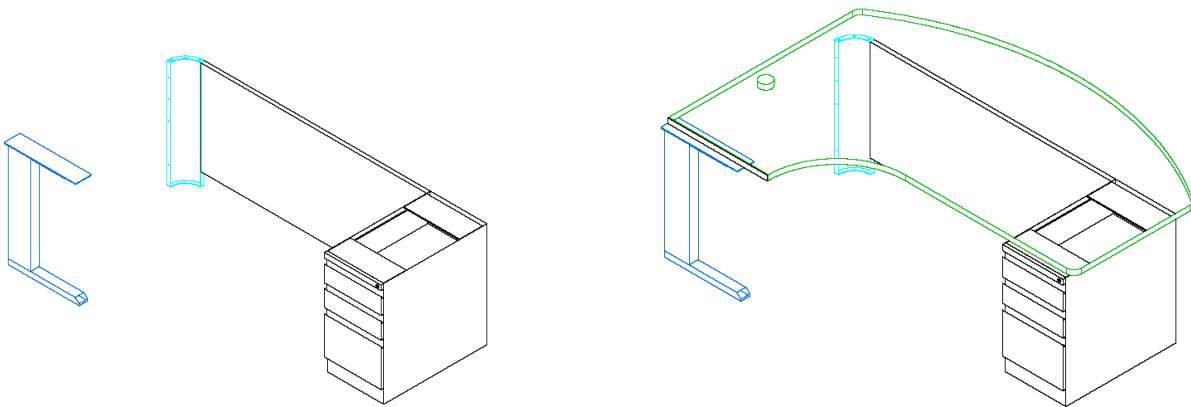
Use the 5/16 self-drilling screws to attach the curved corner post to the modesty panel. Then attach the modesty panel to the pedestal, line the top and front of the modesty panel to the top and back edge of the pedestal, and use the 5/16 self-taping screws.



Gen2 Desk Installation guide

Step Two:

Install the desk by using the c-leg on the return side splitting the seam, install (4) wood screws to attach the c-leg to the desktop. Position the desk so that the pedestal sits even with the side of the desktop and the modesty panel and curved corner post are straight. Use (2) wood screws in the curved corner post, (3) in the modesty panel and (4) in the pedestal.



Step Three:

Install the return by placing the pedestal parallel to the c-leg, using (4) wood screws attach the return to the c-leg. Position the pedestal so it sits even with the side of the return top.

