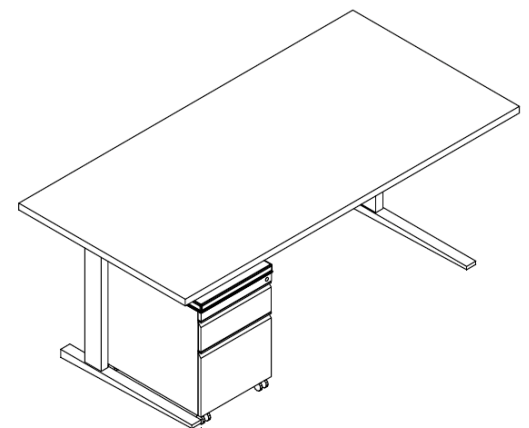


# gen<sup>2</sup> Hybrid OFFICE FURNITURE<sup>®</sup>

## Electric Height Adjustable Desks

Featuring Custom Made Worksurfaces



### Features

- Modern design at an affordable price
- Built-in casters make it easy to move the desk by simply lifting the front of the table top. The casters lift up as the table is put back down, ensuring that the desk will not move unintentionally.
- Integrated cable management
- Lifting capacity 176 Lbs. (80 kg)
- Frame color: Silver
- Available in a wide as well as a narrow version

